

Avvio Networks

A15XX Optical Multiplexer

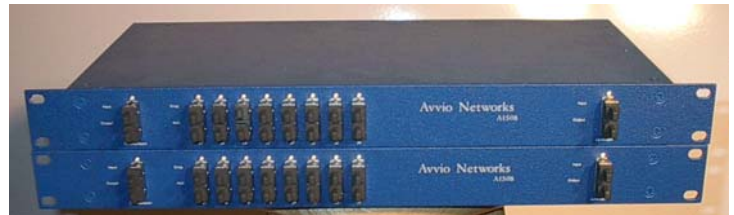
Add/Drop multiple WDM wavelengths to /from a single fiber

Avvio Networks' A15XX Optical Shelves provide a fast and economical way to integrate WDM services into the network. The 15xx is available with 4, 8, 12, or 16 ports.

The A15XX Optical Shelf is a passive multiplexer/demultiplexer with between 4 and 16 optical add/drop ports allowing WDM devices to be passively coupled onto a fiber ring or mesh. It provides the ability to add and drop devices off of a network without disturbing the rest of the network.

The A15XX allows a single fiber between multiple WDM devices to be shared instead of running a separate fiber for each WDM device. The cost savings due to the reduction in fiber cable can be significant when there are long distances between the attached devices.

The A15XX works with all Avvio Networks products or any ITU-compliant optical device to allow multiple WDM channel operation over a single fiber.



Model A1508 shown here

Features

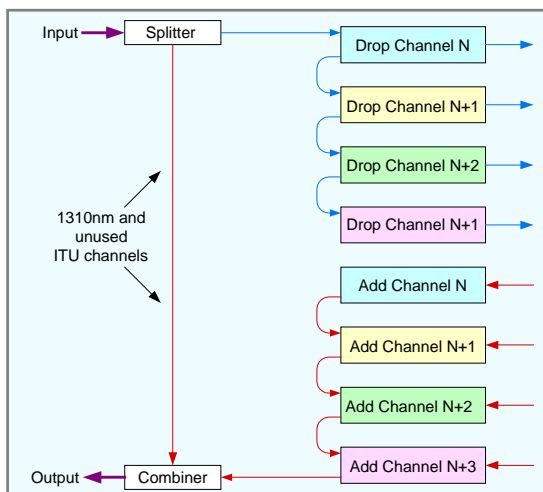
Add/drop devices without disturbing the network.

Increase system capacity by multiplexing multiple wavelengths of light onto a single fiber

Passive optical components ensure high reliability

Works with any ITU-compliant optical device

Supports from four to sixteen devices simultaneously



Avvio Networks' advanced optical networking products set the standard for a new breed of cost-effective networks and services.

Avvio Networks
 19 Crosby Dr.
 Suite 125
 Bedford, MA 01730
 (781) 271-0002

email:
sales@avvionetworks.com

www.avvionetworks.com

Technical Specifications

WDM Interface

Channel Spacing	20nm, 50, 100, 200 Ghz
Channel Passband	0.11nm (100Ghz)

Loss

In to Add or Drop	< 4.5dB
In to Out	< 5.5dB
Return Loss	> 45dB

DeMux Isolation

Adjacent channel	> 28dB
Non-Adjacent	> 40dB

Mux Isolation

Adjacent channel	> 15dB
Non-Adjacent	> 15dB

Channel Uniformity	< 0.5dB
Polarization Dependant Loss	< 0.1dB

Environmental

Operating Temperature, Relative Humidity, Vibration, Shock and Flammability	Complies with Bellcore NEBS (GR63) TR-NWT-0000-63 and ETSI ETS 300-19-1
-----------------------------------------------------------------------------------------	-------------------------------------------------------------------------------

EMI, EMC	Complies with FCC part 15 class A, ETSI EN50082-1
----------	------------------------------------------------------

Dimensions

Chassis size	1.75" X 17" X 12" (19" rack mount)
--------------	------------------------------------

Ordering Information

A15(port count)- (1st ITU channel)-(channel spacing)

For example, an 8 port 100Ghz DWDM mux starting at ITU channel 30 to channel 37, the order number would be:

A1508-30-100